

RS232 / RS485 interface converter for connection of SEIKA sensors with RS485 interface to RS232 port of a computer

Features

- robust, pressure die cast aluminium housing (IP65) with saltwater proof coating
- 9...15 Volt supply voltage
- either connection polarity
- internal 5 Volt stabilizing and internal generation of the +/- RS232 voltage levels
- half-duplex RS232 / RS485 bus
- up to 128 participants on RS485 bus
- 9channel SubD RS232 port
- LED indicating bus activity

Description

The interface converter consists of an aluminium housing with a PCB, a 9-channel SubD port for the RS232 bus, a 4-channel clamp for the RS485 bus, a plug for the external 12V supply voltage, two LEDs for monitoring system operation, the bus voltage level and termination resistances and the interface electronics with voltage level converters and transmission line drivers and receivers.

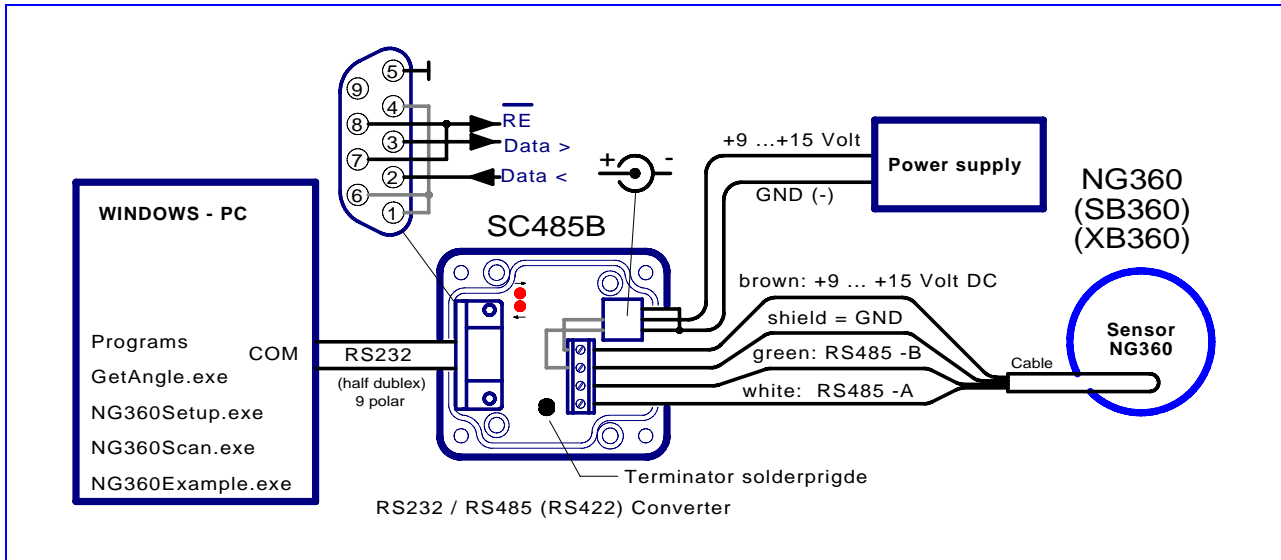
Application

The interface converter connects any SEIKA sensor with RS485 data output interface to the RS232 port of a computer.

Technical Specifications

Supply voltage	12Volt \pm 3Volt
Current drawn	approx.30mA + current drawn by sensors
RS485 terminals	4 x 1.5mm ²
RS232 port	DSub9 socket
RS485 Bus	half duplex
Terminator resistance	100 Ohm, can be disengaged by solder bridge
ESD protection on RS485 bus	\pm 15kV (Human Body Model)
Participants on single bus	max.128
Data transfer rate	max.250kbps

Connection to SEIKA-RS232/485 converter SC485B



Dimensions (in mm)

